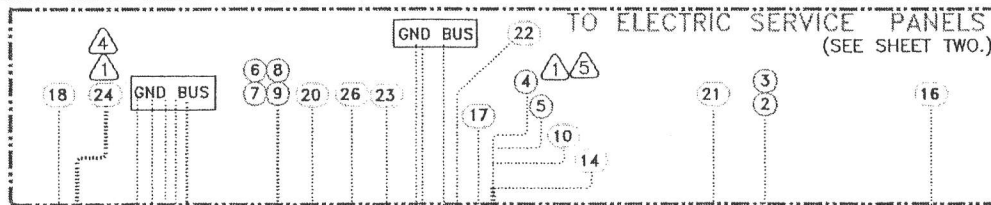
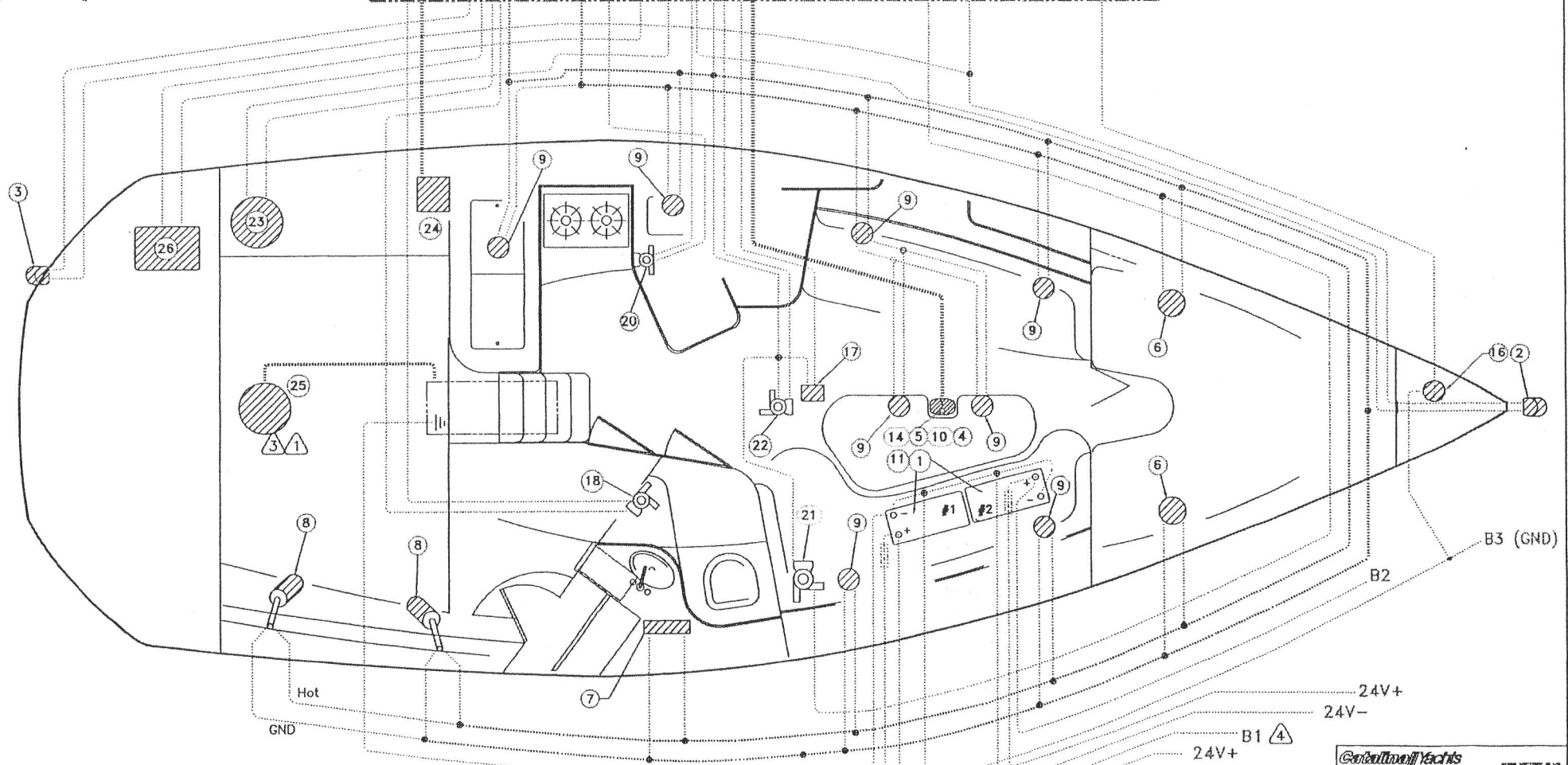


- NOTES: (UNLESS OTHERWISE SPECIFIED)
 1 MULTIPLE CONDUCTOR CABLE.
 2 AC WIRING SHOWN ON DWG. 320-73002,
 115VAC WIRING DIAGRAHM W/CHGR.
 3 SEE DWG #W2787-GX
 4 SEE DWG #320-72003, 12VDC PWR DIST SYSTEM.
 5 SEE DWG #320-72002, MAST LIGHT WIRING.



REV	DESCRIPTION	DATE	APPROVAL
0	INITIAL RELEASE	0.28.93	
1	
2	One battery to atbd	3-20-94	
3	
4	Delete Lighting Sub - Porat	8-01-97	
5	New Service Panel	2.5.99	



Catalina Yachts

PROPERTY NOTIFICATION: THIS DRAWING IS THE PROPERTY OF CATALINA YACHTS. IT IS TO BE USED ONLY FOR THE PROJECT AND VESSEL SPECIFICALLY IDENTIFIED HEREON. IT IS NOT TO BE REPRODUCED, COPIED, OR TRANSMITTED IN ANY FORM OR BY ANY MEANS, ELECTRONIC OR MECHANICAL, INCLUDING PHOTOCOPYING, RECORDING, OR BY ANY INFORMATION STORAGE AND RETRIEVAL SYSTEM, WITHOUT THE WRITTEN PERMISSION OF CATALINA YACHTS.

UNLESS OTHERWISE SPECIFIED: DIMENSIONS ARE IN INCHES. DIMENSIONS IN PARENTHESES ARE IN MILLIMETERS. FINISHES: UNLESS OTHERWISE SPECIFIED, ALL FINISHES ARE TO BE AS SHOWN ON THE DRAWING. MATERIALS: UNLESS OTHERWISE SPECIFIED, ALL MATERIALS ARE TO BE AS SHOWN ON THE DRAWING. SCALE: UNLESS OTHERWISE SPECIFIED, ALL DIMENSIONS ARE TO BE AS SHOWN ON THE DRAWING. DO NOT SCALE DRAWINGS.

DATE: 3.15.99
 DRAWN BY: J. J. J.
 CHECKED BY: J. J. J.
 APPROVED BY: J. J. J.

NO. NONE
 REV. 32720015

PROJECT: CATALINA 320
 SHEET NO. 1/2

ELECTRICAL PLAN, DC

CATALINA 320

320-72001-5